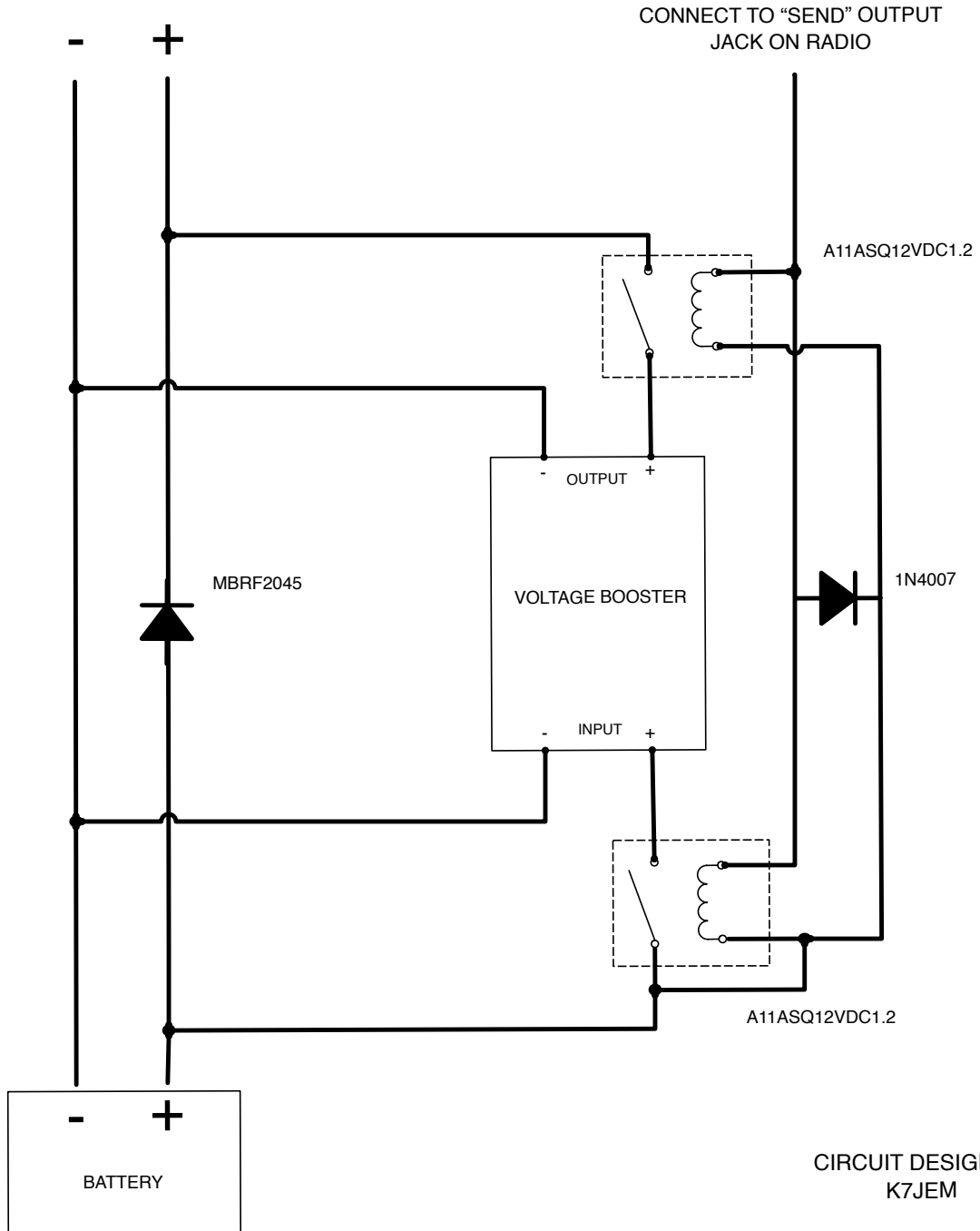


Transmit Activated Voltage Booster

N5YIZ

POWER OUTPUT TO RADIO



CIRCUIT DESIGN BY
K7JEM

2023-01-03T224555

Index	Quantity	Part Number	Manufacturer Part Number	Description	Customer Reference	Available	Backorder	Unit Price	Extended Price USD
1	1	1655-1128-ND	MBRF2045	DIODE SCHOTTKY 45V 20A ITO220AC		1	0	0.96000	0.96
2	4	A29943CT-ND	63596-1	CONN QC RCPT 14-18AWG 0.187		4	0	0.16000	0.64
3	4	A27595CT-ND	41449	CONN QC RCPT 10-14AWG 0.250		4	0	0.19000	0.76
4	2	2449-A11ASQ12VDC1.2-ND	A11ASQ12VDC1.2	RELAY AUTOMOTIVE SPST 30A 12V		2	0	2.17000	4.34
5	1	2368-1N4007-ND	1N4007	DIODE GEN PURP 1KV 1A DO41		1	0	0.11000	0.11