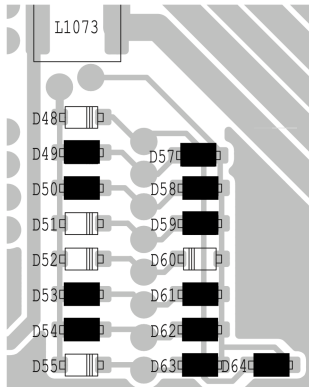
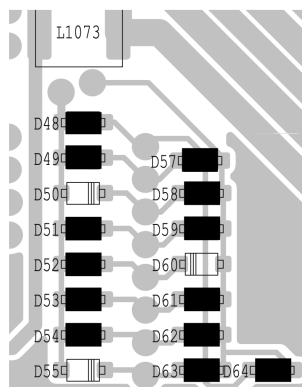


Icom IC-7200 Versions

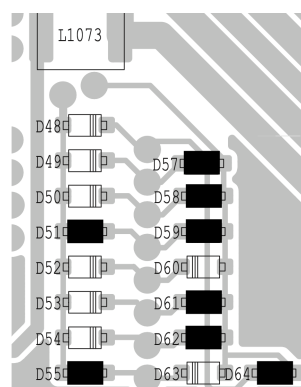
N5YIZ



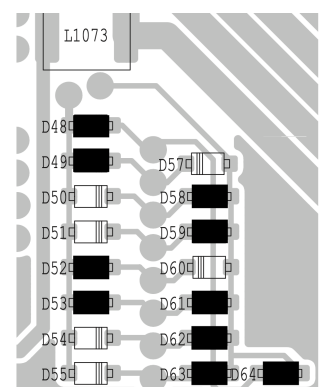
[USA]



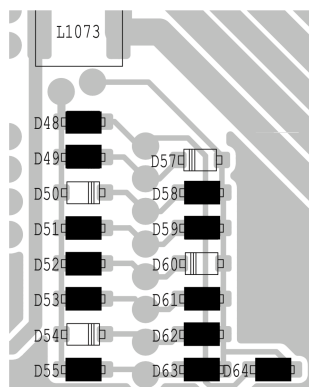
[EUR]



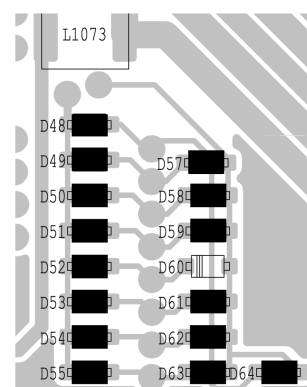
[FRA]



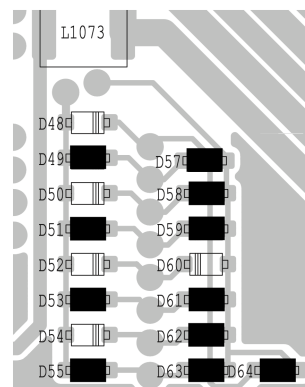
[ITR]



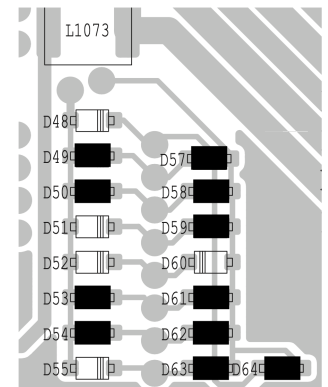
[ESP]



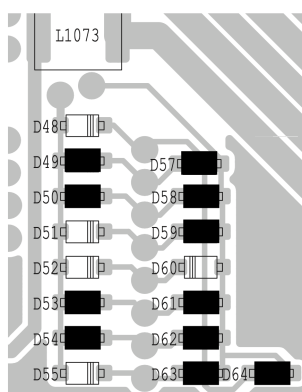
[EUR-01]



[KOR]



[CHN]



[EXP]

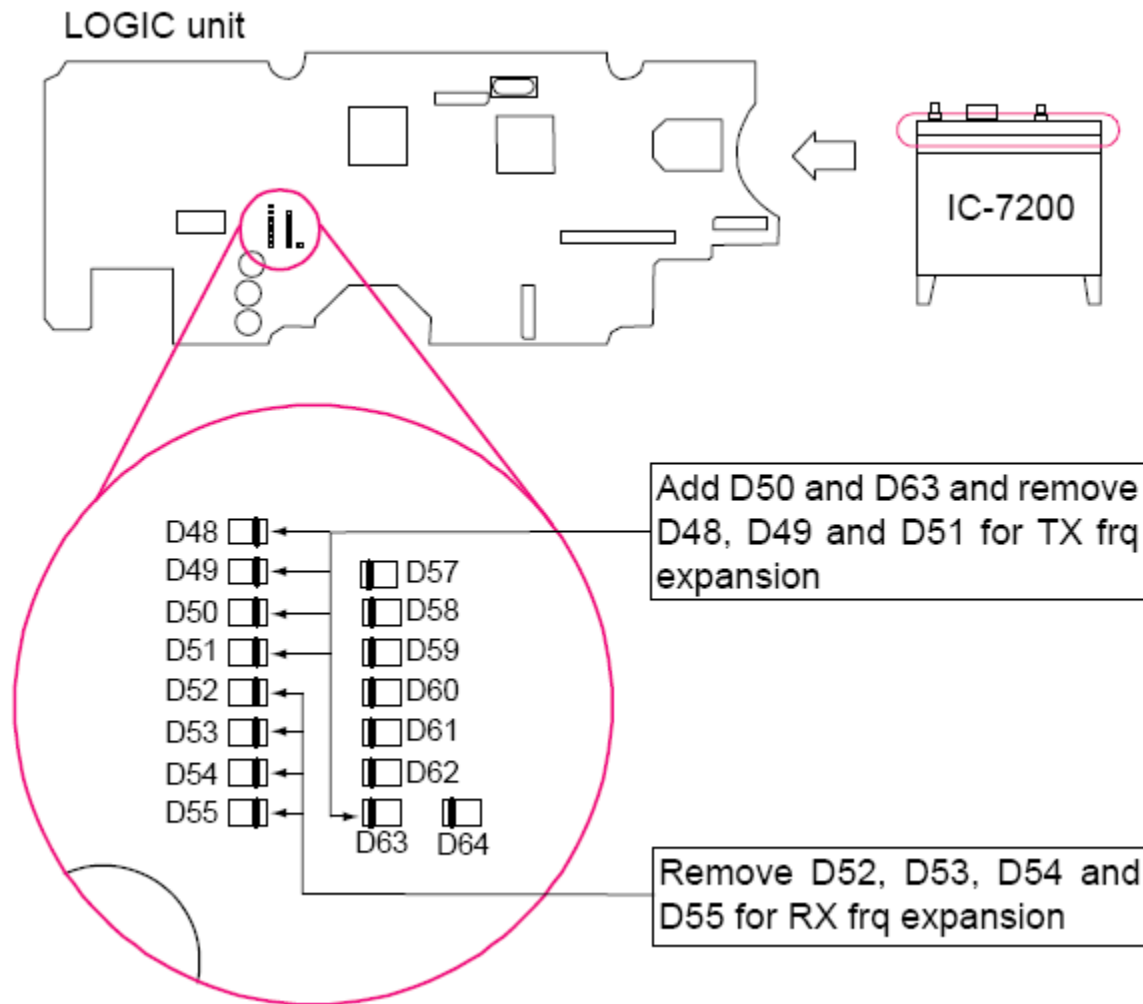
MARS/CAP Modification: IC-7200

RX Frequency Coverage Expansion

Remove D52, D53, D54 and D55 as shown below.

TX Frequency Coverage Expansion

Add D50 and D63 and remove D48, D49 and D51 as shown below.



Icom IC-7200 MARS/CAP

N5YIZ

