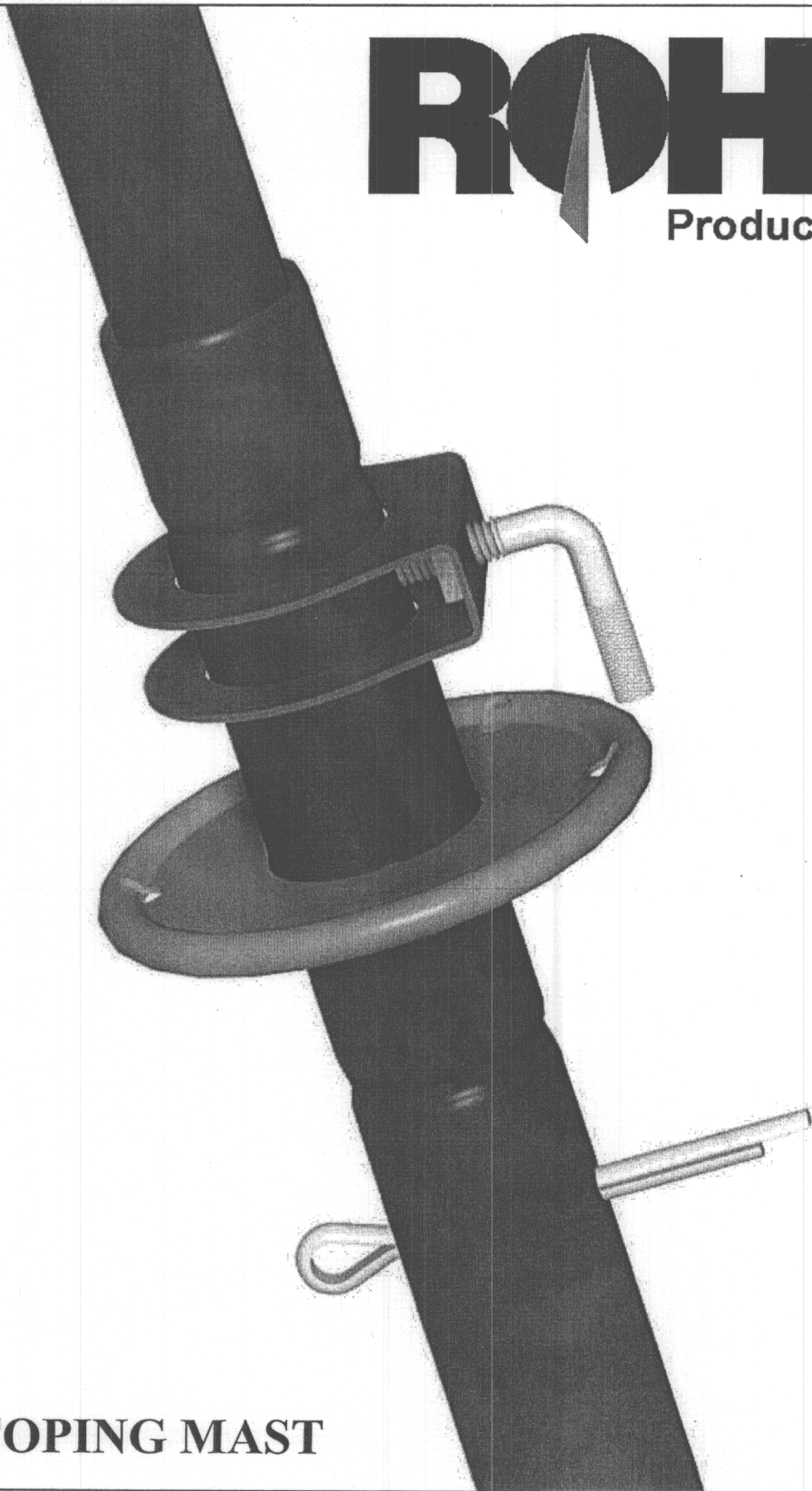
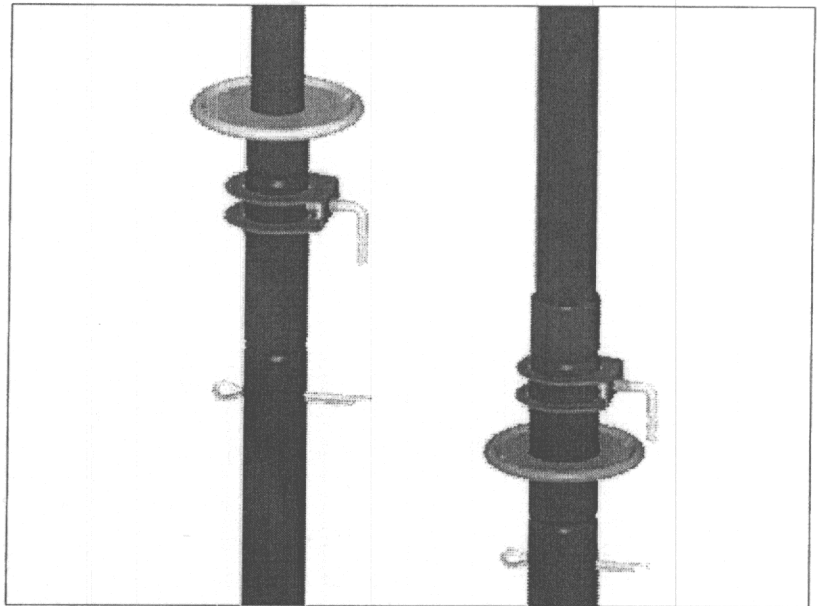
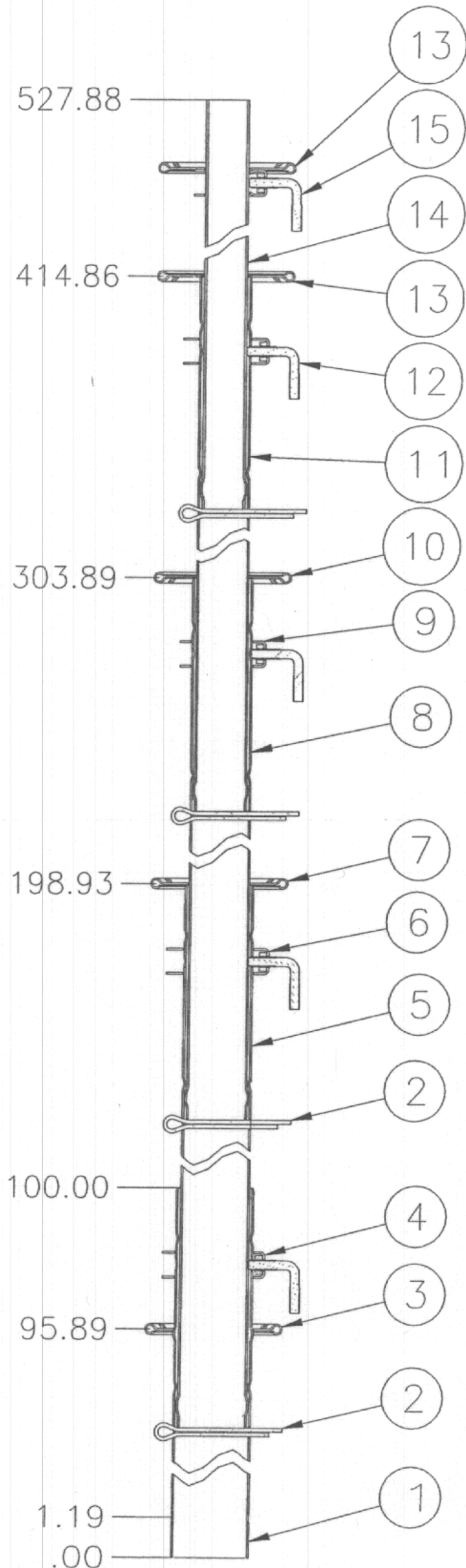

ROHN
Products, Inc.



H50
TELESCOPING MAST

H50 - TELESCOPING MASTS

FOR USE AS GUYED OR BRACKETED INSTALLATIONS



BILL OF MATERIAL					
ITEM	QTY	PART NO.	DESCRIPTION	ITEM WT.	WEIGHT
1	1	KH899	TUBE 100" 2-1/4 X 18GA PG	9.586	9.586
2	4	280002	COTTER PIN 1/4 X 3 ZP	0.036	0.144
3	1	GR5	GUY RING, 2-1/4" PG	0.184	0.184
4	1	KH913	MAST CLAMP #5 (2.25") W/BOLT ASSY	0.183	0.183
5	1	KH978	TUBE 106" 2 X 18GA PG	9.007	9.007
6	1	KH912	MAST CLAMP #4 (2.00") W/BOLT ASSY	0.213	0.213
7	1	GR3	GUY RING, 1-3/4" PG	0.206	0.206
8	1	KH977	TUBE 112" 1-3/4 X 18GA PG	8.297	8.297
9	1	KH911	MAST CLAMP #3 (1.75") W/BOLT ASSY	0.156	0.156
10	1	GR2	GUY RING, 1-1/2" PG	0.215	0.215
11	1	KH976	TUBE 118" 1-1/2 X 18GA PG	7.457	7.457
12	1	KH910	MAST CLAMP #2 (1.5") W/BOLT ASSY	0.179	0.179
13	2	GR1	GUY RING, 1-1/4" PG	0.223	0.446
14	1	KH890	TUBE 120" 1-1/4 X 16GA PG	7.776	7.776
15	1	KH909	MAST CLAMP #1 (1.25") W/BOLT ASSY	0.132	0.132
TOTAL WEIGHT.....					44.182

NOTES:

- A: Last two digits in the part number references the total length of all tubing in the mast. Due to overlap in joints, the actual mast height will be less.
- B: All parts and hardware are Pre-Galvanized.
- C: Antenna load (top load) should not exceed 2 square feet of surface. (See antenna specifications).
- D: Telescoping masts are not recommended for commercial, ham, CB or beam antennas.
- E: See ROHN Installation Guidelines (Included in this packet) for more info.
- F: See ROHN Safety Brochure (Included in this packet) for safety information.

H50 – INSTALLATION GUIDELINES

TYPICAL GUY WIRE LAYOUT

THREE GUY WIRE SETUP		FOUR GUY WIRE SETUP																					
<p>TOP VIEW</p>	<p>ELEVATION VIEW</p>	<p>TOP VIEW</p>	<p>ELEVATION VIEW</p>																				
<p>RECOMMENDED GUYING HARDWARE</p> <table border="1"> <tr> <td>GUY WIRE (SEE NOTE D)</td> <td>879'</td> </tr> <tr> <td>CABLE CLAMPS (3 @ EACH END)</td> <td>90</td> </tr> <tr> <td>THIMBLES</td> <td>30</td> </tr> <tr> <td>TURNBUCKLES (3/8" X 6" RECOMMENDED)</td> <td>15</td> </tr> <tr> <td>ANCHORS</td> <td>3</td> </tr> </table>		GUY WIRE (SEE NOTE D)	879'	CABLE CLAMPS (3 @ EACH END)	90	THIMBLES	30	TURNBUCKLES (3/8" X 6" RECOMMENDED)	15	ANCHORS	3	<p>RECOMMENDED GUYING HARDWARE</p> <table border="1"> <tr> <td>GUY WIRE (SEE NOTE D)</td> <td>1,172'</td> </tr> <tr> <td>CABLE CLAMPS (3 @ EACH END)</td> <td>120</td> </tr> <tr> <td>THIMBLES</td> <td>40</td> </tr> <tr> <td>TURNBUCKLES (3/8" X 6" RECOMMENDED)</td> <td>20</td> </tr> <tr> <td>ANCHORS</td> <td>4</td> </tr> </table>		GUY WIRE (SEE NOTE D)	1,172'	CABLE CLAMPS (3 @ EACH END)	120	THIMBLES	40	TURNBUCKLES (3/8" X 6" RECOMMENDED)	20	ANCHORS	4
GUY WIRE (SEE NOTE D)	879'																						
CABLE CLAMPS (3 @ EACH END)	90																						
THIMBLES	30																						
TURNBUCKLES (3/8" X 6" RECOMMENDED)	15																						
ANCHORS	3																						
GUY WIRE (SEE NOTE D)	1,172'																						
CABLE CLAMPS (3 @ EACH END)	120																						
THIMBLES	40																						
TURNBUCKLES (3/8" X 6" RECOMMENDED)	20																						
ANCHORS	4																						

ASSEMBLY INSTRUCTIONS

- 1: Secure Base and Anchors (not included).
- 2: Attach lowered Mast to Base.
- 3: Secure guy lines to the lower Guy Ring (GR5) and attach to Anchors. Align the Mast vertically by tightening the Guy Lines.
- 4: Secure upper Guy Ring (GR1) using the appropriate Mast Clamp (KH909) to desired location on the upper Tube (See Note H).
- 5: Secure appropriate length guy lines to the upper Guy Ring (GR1) and let them hang.
- 6: Raise the upper Tube and insert the cotter pin. Make sure that the cotter pin is inside the notch in the inside tube.
- 7: Secure the cotter pin and tighten the mast clamp
- 8: Secure appropriate length guy lines to the next highest Guy Ring, and let them hang.
- 9: Raise the next smallest Tube and insert the cotter pin. Make sure that the cotter pin is inside the notch in the inside tube.
- 10: Secure the cotter pin and tighten the mast clamp
- 11: Repeat steps 8 – 10 until all sections have been raised and secured.
- 12: Attach all hanging Guy Lines to their respective Anchor. Align the Mast vertically by tightening the Guy Lines. Make sure to work your way up the mast.

NOTES

- A: The above Guy Wire Layout is for a typical installation. Individual requirements may vary.
- B: All installations must be Bracketed or guyed. Brackets, guys, and base are not included and must be purchased separately as needed.
- C: This mast must be installed at least 100 feet away from any power line. Contact with any power line can kill you! Select a safe site.
- D: Guy wire should be a minimum of 6 strands of 18Ga wire (#618) and a maximum dia of 3/16". Use a thimble and 3 cable clamps at each end and a turnbuckle at the anchor.
- E: Mast must be guyed approximately every 9 ft. (at the top of each tube) with the distance from the base of the mast to the anchor equal to the height of the mast attachment point.
- F: Anchors should be spaced every 120' if three guy directions are used, or every 90' if four guy directions are used.
- G: All anchors and base must be properly grounded.
- H: Secure upper Guy Ring (GR1) as high as possible without interfering with antenna mount/bracket.
- I: Antenna load (top load) should not exceed 2 square feet of surface. (see antenna specifications)
- J: Carefully read all documentation enclosed with your antenna before attempting to work on your installation.
- K: Do NOT attempt installation or dismantling if there is any wind or on a wet day.
- L: Tie off mast with rope (non-metal) to deflect away from power line if it should fall during installation or dismantling.
- M: Use adequate and skilled help in working with this product and have an experienced supervisor present.
- N: If you are in doubt as to the proper use or method of installation or dismantling, contact an experienced installer and your local electrical utility for assistance. Do NOT do it yourself.